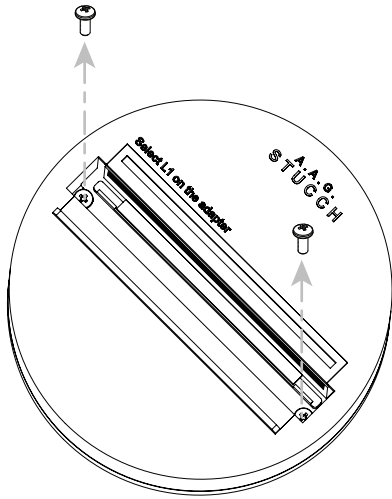
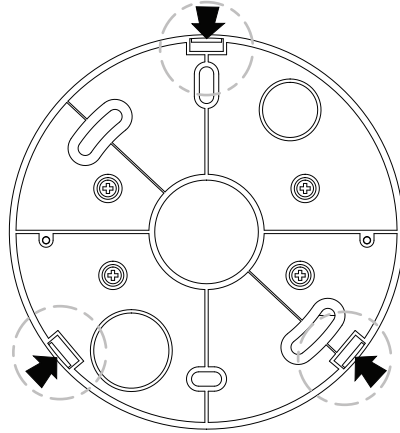


# cielux

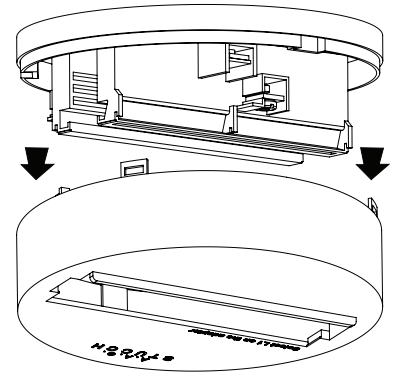
## Monopoint Adapter Wiring Guide



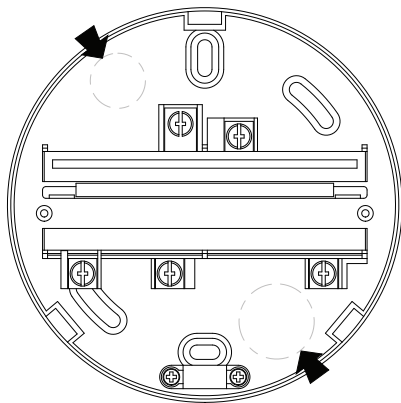
At the front of the monopoint adapter, remove the two screws.



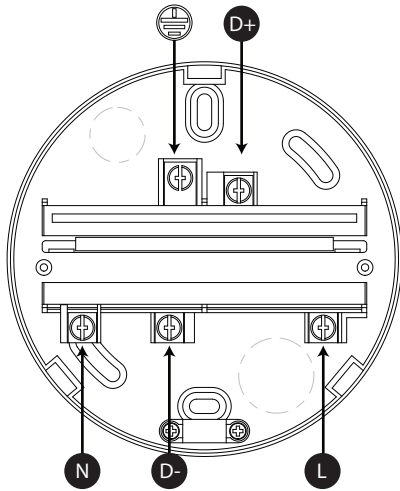
Use a flat head screwdriver to push the plastic latch inward. This will cause the adapter to separate into 2 parts.



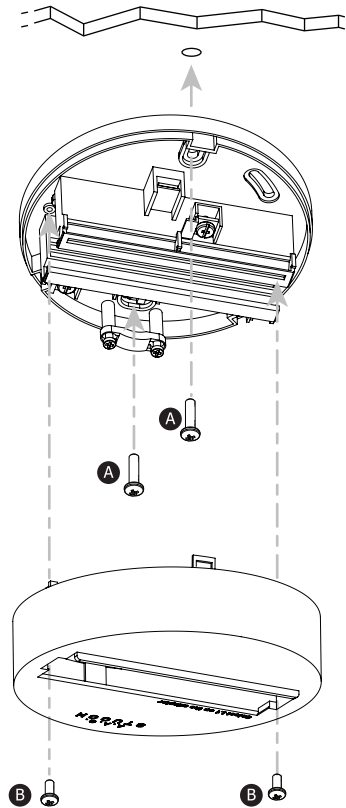
Remove the bottom housing from the adapter.



Drilled hole allows the wire to pass through.



Secure the wire at the desired point.



Secure the adapter base to the desired ceiling locations, then attach the bottom housing.